

Standard Preparation Sink for Dishwasher with 2 Bowls & Left Drain

ITEM # _____

MODEL # _____

NAME # _____

SIS # _____

AIA # _____



133196 (NDBD1617L)

 Sink Unit for Undercounter
 Dishwasher with 2 bowls
 500x500mm and left hand
 drainer, 1600mm

Short Form Specification

Item No.

Entirely made from stainless steel. The 50mm high worktop in 304 AISI stainless steel, 1mm in thickness, has an overflow rim and welded corners. Integral rear upstand, h=100mm, with 10mm radius. All-round apron (except where the dishwasher is placed). Square section legs 40x40mm on 1" height-adjustable feet (+/-20mm) N. 2 bowls mm400x500x300h with overflow pipe and 2" drain hole; drainer (on the left hand side) with void under space to lodge an undercounter dishwasher.

Main Features

- Sturdiness, stability and reliability of table accurately tested.

Construction

- 50 mm worktop in 304 AISI stainless steel, 10/10 in thickness with overflow rim along the top.
- 100 mm upstand with 8 mm radiused corner and 13 mm deep, designed to be used against a wall.
- Sink tops easily slotted onto the legs and taps are easily installed from the rear.
- Bottom part of drain left free to house an undercounter dishwasher.
- Wide range of taps are available to suit every need.
- Drainage area suitable for drying operations
- 100 mm upstand with 10 mm radiused corner and 13 mm deep, designed to be used against a wall.

Optional Accessories

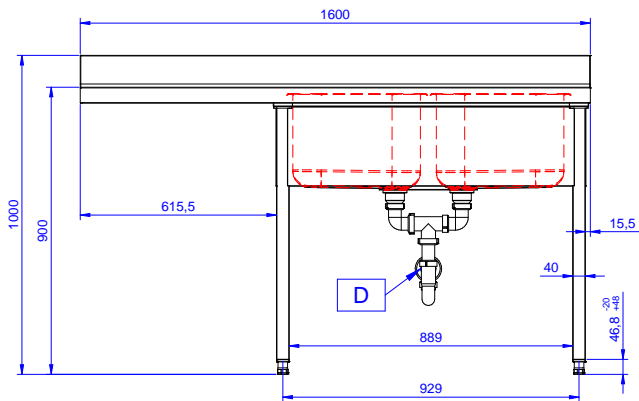
- Lower shelf for 1000 mm tables PNC 855144
and sinks and for 1600 mm
undercounter dishwasher sinks
- Set of 4 wheels (2 with brake) PNC 855150
d. 100mm for tables and sinks
(total height on wheels= 993
mm)
- 3-sided underframe for PNC 855151
1000mm tables
- Elbow operated mixer tap with PNC 855322
spout 3/4", single hole
- Elbow operated mixer tap with PNC 855323
short spout 3/4", single hole
- Foot operated mixer tap (hot PNC 855328
and cold) with spout 3/4"

APPROVAL: _____

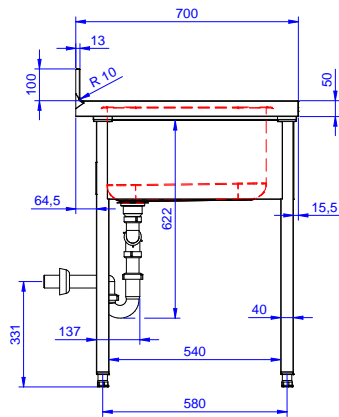
Key Information:

External dimensions, Width:	133196 (NDBD1617L)	1600 mm
External dimensions, Depth:		700 mm
External dimensions, Height:		1000 mm
Upstand Dimensions, Height:		100 mm
Upstand Dimensions, Depth:		13 mm
Upstand Dimensions, Radius:		R=15
Bowls number		2
Bowl dimensions		400X500XH250
Worktop thickness:		0 mm
Net weight:		51 kg

Front



Side



Top

